

# DIYAutoTune.com

**Tune it Yourself. Tune it for less. Tune it Right.**

Thank you for buying a DIYAutoTune.com six circuit switch panel. This panel wires up using 1/4" spade terminal wiring. It includes one monetary switch for controlling the starter solenoid and five lighted toggle switches with three 10 amp and two 20 amp resettable circuit breakers. If you are running devices that draw more than 20 amps, use the switch to trigger an external, high current relay.

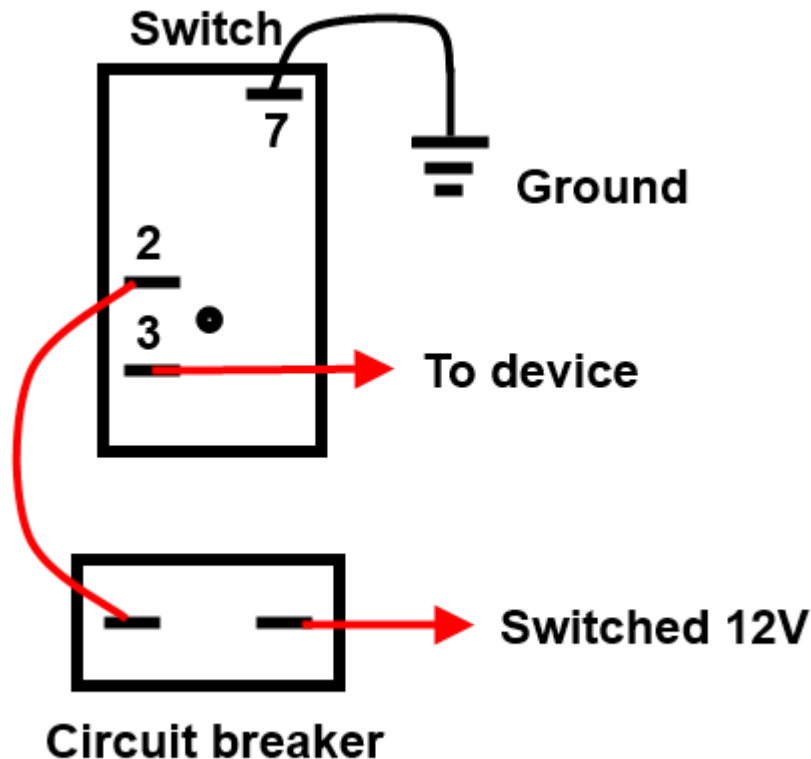
## Installation

The panel uses 1/8" holes for #4 sheet metal screws. You can use the panel as a template for drilling the holes, or use a 2.75" x 7.5" rectangular pattern for the holes.

## Wiring

The starter switch is just your basic momentary contact switch. Wire one terminal to switched 12 volts and the other to the starter solenoid or relay terminal. They can be connected in either order.

The regular switches add a third terminal, which just needs to be grounded for powering the indicator light. They wire up as shown below:



For technical support, you can contact us by email: [websales@diyautotune.com](mailto:websales@diyautotune.com)